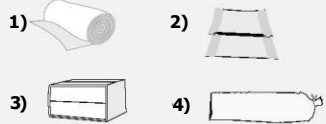


PITCHING INFLATABLE TENT WITH AIR DUCT 24 m²



Contents of the



No	Explanation	Piece
1	Body	1
2	Floor	1
3	Air Pump and Repair Kit Saddlebag	1
4	Pile Saddlebag	1

Contents of the Air Pump and Repair Kit Saddlebag



No	Explanation	Piece
1	Polyester Parts	3
2	Air Hose	1
3	Air Pump	1
4	Glue	1
5	Cleaner	1

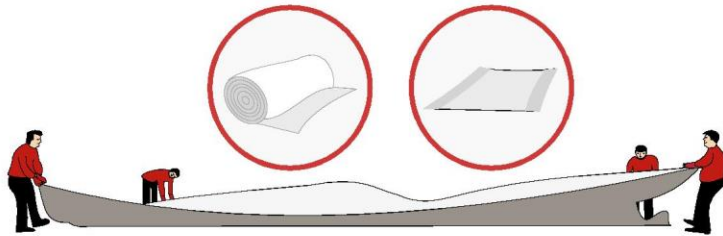
Contents of the Pile Saddlebag



No	Explanation	Piece
1	Hammer	1
2	Nail Pile	12
3	T-Pile	8

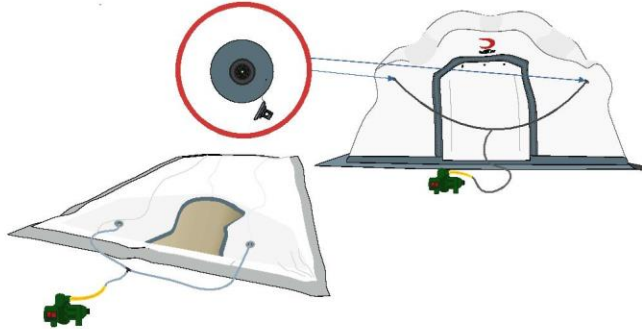
1) LAYING THE TENT

In order for the tent to inflate comfortably, lay it neatly on the floor.



2) INFLATING THE TENT

Attach the air hose connected to the engine to the air intakes. Connect the motor to 220 W AC current and start the motor. (Make sure that the air enters the tent comfortably by adjusting the air ducts. Otherwise, the inflation time of the tent will be extended.)



3) RAISING THE TENT

When the tent starts to rise, help the feet to rise by giving support from inside the tent to facilitate the air flow, wait until the tent is fully inflated. After inflation, turn the latch inside the valve to the left and block the air outlet.



4) FIXING THE TENT

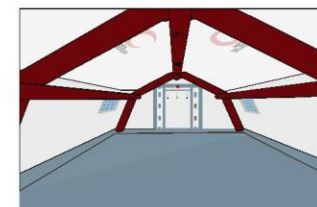
First, fix the tent to the ground from the capsules located at the four corners of the floor. Tighten the tension ropes on the sides of the tent to the stakes that will be driven at a distance of 1.5-2 meters from the tent. In windy weather, tighten the tension ropes fully to prevent the tent from swinging and tearing too much.



5) FINAL CHECK & SUGGESTIONS

Check the tension ropes of the tent every 2-3 days.

If the tension ropes of the tent are loose or the air in the columns is reduced, sagging will occur in the roof part. In rainy and/or snowy weather, if the tent is not fully tensioned and sagging, there will be debris on the top of the tent; this will cause the tent to collapse. Always ensure that the tent is fully tensioned to prevent debris from forming. If necessary, stretch the tension ropes and press the air.



Please Read the QR Code for the Pitching



